

**CITY OF MARATHON, FLORIDA
RESOLUTION 2018-79**

A RESOLUTION OF THE CITY COUNCIL OF THE CITY OF MARATHON, FLORIDA, AUTHORIZING A “PIGGY-BACK” PURCHASE PURSUANT TO THE CITY’S PURCHASING POLICIES AND PROCEDURES AND APPROVING THE PURCHASE OF A CASE SKID STEER TR310 UNDER THE FLORIDA SHERIFF’S BID CONTRACT #FSA17-VEH15.0 FROM TREKKER GROUP, IN AN AMOUNT NOT TO EXCEED \$51,547.90; AUTHORIZING THE CITY MANAGER TO ENTER INTO AGREEMENTS IN CONNECTION THEREWITH, APPROPRIATING AND EXPENDING BUDGETED FUNDS WHICH WILL BE SUBMITTED FOR REIMBURSEMENT FROM THE FDEP GRANT; AND PROVIDING FOR AN EFFECTIVE DATE

WHEREAS, pursuant to Ordinance 2015-04, the City adopted purchasing policies and procedures (the “Purchasing Policies and Procedures”) after determining that it was fiscally prudent and in the City’s best interest to adopt policies and procedures for City employees and officials regarding the acquisition and purchase of contractual services, equipment, goods, and other similar types of services; and

WHEREAS, the Purchasing Policies and Procedures allow the City Council to enter into contracts for materials, supplies, equipment, public improvements or services without competitive bidding by utilizing existing contract terms and prices entered into by other local, state or federal governmental authorities that followed a competitive bidding procedure leading to the award of the contract in question; and

WHEREAS, the City desires to take advantage of the Florida Sheriffs’ Association Contract No. FSA17-VEH15.0 From Trekker Group (Exhibit A), in an amount not to exceed \$51,547.90 for the purchase of a case skid steer TR310, which will be submitted for reimbursement from the FDEP Grant.

NOW, THEREFORE, BE IT RESOLVED BY THE CITY COUNCIL OF THE CITY OF MARATHON, FLORIDA, THAT:

Section 1. The above recitals are true and correct and incorporated herein.

Section 2. The City Council hereby authorizes the City Manager to enter into an agreement and expend budgeted funds on behalf of the City for this purchase from Trekker Group in an amount not to exceed \$51,547.90 for the purchase of a case skid steer TR310, which will be submitted for reimbursement from the FDEP Grant.

Section 3. This resolution shall take effect immediately upon its adoption.

PASSED AND APPROVED BY THE CITY COUNCIL OF THE CITY OF MARATHON, FLORIDA, THIS 14th DAY OF AUGUST, 2018.

THE CITY OF MARATHON, FLORIDA



Michelle Coldiron, Mayor

AYES: Bartus, Cook, Senmartin, Zieg, Coldiron
NOES: None
ABSENT: None
ABSTAIN: None

ATTEST:



Diane Clavier, City Clerk

(City Seal)

APPROVED AS TO FORM AND LEGAL SUFFICIENCY FOR THE USE AND RELIANCE OF THE CITY OF MARATHON, FLORIDA ONLY:



David Migut, City Attorney

EXHIBIT A

MIAMI
12601 W. OKEECHOBEE RD
HIALEAH GARDENS, FL. 33018
PHONE: 305-821-2273
FAX: 305-821-8822

FORT MYERS
3051 HANSON ST.
FT. MYERS, FL 33916
PHONE: 239-690-0661
FAX: 239-660-0663

ORLANDO
9481 BOGGY CREEK RD
ORLANDO, FL. 32824
PHONE: 407-888-0024
FAX: 407-888-3166

TAMPA
1504 TAMPA EAST BLVD
TAMPA, FL 33619
PHONE: 813-341-4646
FAX: 813-341-4647

WEST PALM BEACH
1150 BARNETT DRIVE
LAKE WORTH, FL 33461
PHONE: 561-296-9710
FAX: 561-296-9712

Jacksonville
9235 Busch Dr NORTH
Jacksonville, FL 32218
PHONE 904-516-5380
FAX 904-516-5388

ATTN:	CHRIS WRIGHT
ORGANIZATION:	CITY OF MARATHON
DEPARTMENT:	COLLECTION / OPERATION
ADDRESS:	9805 Overseas Hwy
CITY, STATE, ZIP	Marathon, Florida 33050
PHONE:	305-743-0033 Ext. 6106
FAX:	
EMAIL:	wrightc@ci.marathon.fl.us
Contract#	FSA17-VEH15.0 SPECIFICATION #

Base Unit	2018 CASE TR310	Contract price	PAGE #
Upgrade		\$ 40,668.00	1465
Stated Contract Options According to Base Build on Spec			
Hand Controls		INCLUDED	1465
2 Speed Mechanical Controls		INCLUDED	1465
Open Cab (No Heat or HVAC		INCLUDED	1465
No Open Cab Interior Trim Pkg		INCLUDED	1465
Suspension Seat (Vinyl)		INCLUDED	1465
no Heavy Duty Front Lights		INCLUDED	1465
Rear Door		INCLUDED	1465
Manual Coupler		INCLUDED	1465
No Block Heater		INCLUDED	1465
OP MANUAL		INCLUDED	1465
Standard Equipment Only		INCLUDED	1465
72 IN Low profile		INCLUDED	1465
72" Bolt on Cutting Edge		INCLUDED	1465
		INCLUDED	
		INCLUDED	
		INCLUDED	
		INCLUDED	
		INCLUDED	
PAGE 1 OF	TOTAL INVESTMENT	\$ 40,668.00	



2017-2018 FSA AWARDED CONTRACT

flsheriffs.org | 850-877-2165
cpp@flsheriffs.org

THANK YOU FOR THE OPPORTUNITY
TO EARN YOUR BUSINESS!

MICHAEL CABRERA
CELL 786-774-3284

Michael.Cabrera@TrekkerGroup.com

TOTAL FROM PAGE 1			\$	40,668.00
STATED CONTRACT OPTIONS			AMOUNT	PAGE #
EH controls upgrade TR270 - TV380			\$ 1,575.00	1466
Performance Pckg On/off One way self leveling, Ride control TR310			\$ 665.00	1466
NON-STATED CONTRACT OPTIONS	MSRP	DISC %	AMOUNT	PAGE#
Upgrade - 78" Low Profile Extended	\$ 1,086.00	15%	\$ 923.10	1467
Upgrade - 78" Bolt on Cutting Edge	\$ 259.00	15%	\$ 220.15	1467
Upgrade - Economy Plus Package	\$ 743.00	30%	\$ 520.10	1467
- HD Front Lights			\$ -	
- Open Cab Interior Trim Pckg (EH Control)			\$ -	
- Hyd. Coupler			\$ -	
- Block Heater (120v)			\$ -	
- Undercarriage Hose Covers			\$ -	
Option - Forks	\$ 1,265.00	15%	\$ 1,075.25	1467
Option - Grapple Scrap Bucket	\$ 5,482.00	10%	\$ 4,933.80	1467
Option - Rear View Camera	\$ 1,075.00	10%	\$ 967.50	1467
			\$ -	
			\$ -	
			\$ -	
			\$ -	
			\$ -	
			\$ -	
SUB TOTAL FOR COMPLETE BUILD			\$ 51,547.90	
WARRANTY INFORMATION: please see page 1467				
FULL MACHINE 12 MONTHS / UNLIMITED HOURS ** ENGINE 24 MONTHS / 2000 HOURS				
TRADE IN MACHINE:				
			TOTAL INVESTMENT	\$ 51,547.90

Delivered to customer!

PAGE 2 OF 2



2017-2018 FSA AWARDED CONTRACT

flsheriffs.org | 850-877-2165
cpp@flsheriffs.org

THANK YOU FOR THE OPPORTUNITY TO EARN YOUR BUSINESS!

MICHAEL CABRERA
CELL 786-774-3284

Michael.Cabrera@TrekkerGroup.com



GRAPPLES

For Skid Steer Loaders, Compact Tool Carriers, Wheel Loaders, and Backhoes Loaders



The **FFC Brush and Scrap Grapples**, by Paladin, have been redesigned to prevent the roll back interference that occurred on some newer models of skid steer loaders and also offers hose length options.



- Patented design withstands the demands of work in scrap handling, recycling, and other tough applications
- Full Feature includes hardened pins, cushioned cylinder kit, and cylinder/hose guard for model 120.



The Power of Combined Excellence™

BRADCO CP CUSTOMWORKS FFC HARLEY J:B McMILLEN SWEEPSTER

GRAPPLES

BRUSH GRAPPLES

- 6" tine spacing
- Standard cylinder guards protect all cylinder components
- 1 1/4" cylinder pivot pins
- 1 1/4" x 24" patented grapple pins greatly reduce torsional force
- 3/8" end plates on Utility Grapple 1/2" end plates on Construction Grapple
- Patented cushioned and sleeved cylinders are 2" x 8" x 1 1/4"
- Standard load check valve
- 100,000 PSI yield strength tine material

Specifications	Utility Brush Grapple			Construction Brush Grapple			
	12260-0022	12266-0022	12272-0022	11372-0022	11378-0022	11384-0022	11390-0022
A. Overall Width	60.75"	66.75"	72.75"	73"	79"	85"	91"
B. Grapple Open	33"	33"	33"	40"	40"	40"	40"
C. Grapple Closed	17.375"	17.375"	17.375"	16.5"	16.5"	16.5"	16.5"
D. Overall Depth	36"	36"	36"	39"	39"	39"	39"
Weight	723 lbs	740 lbs	775 lbs	925 lbs	999 lbs	1054 lbs	1105 lbs
Number of Tines	11	12	14	14	14	16	16

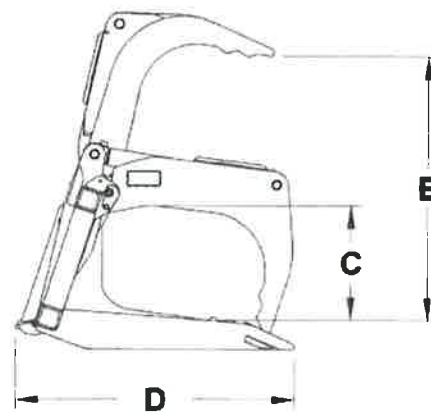
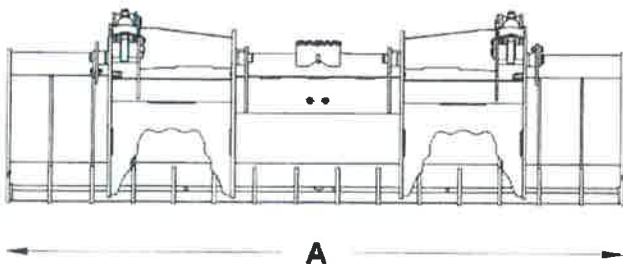
IMPORTANT: All replacement hydraulic hoses and fittings must have a minimum rated working pressure of 4000 psi.

***NOTE:** When ordering new Grapples you must also order the appropriate hose kit. The new Grapples will not automatically ship with hoses.

Carrier Specifications:	Utility	Construction
lift capacities	<4,000 lbs	<5,000 lbs
operating weight	<6,500 lbs	<9,500 lbs

Hose Kit Part Numbers

60"	80"	88"
MTG1113-0022	MTG1113-0903	MTG1113-9783



SCRAP GRAPPLES

- Standard cylinder guards protect all cylinder components
- Standard load check valve
- 1 1/4" cylinder pivot pins
- 1 1/4" x 24" patented grapple pins reduce torsional force
- 3/8" end plates on Utility Grapple, 1/2" end plates on Construction Grapple
- Patented cushioned cylinders are 2" x 8" x 1 1/4" on full feature
- Bucket edge drilled for FFC replaceable edge unless specified
- Optional 3/4" x 8" double beveled edge

Specifications	Utility Scrap Grapple			Construction Scrap Grapple		
	12860-0022	12866-0022	12872-0022	11876-0022	11882-0022	11888-0022
A. Overall Width	60.75"	66.75"	72.75"	76"	82"	88"
B. Overall Height Grapple Open	34"	34"	34"	40"	40"	40"
C. Overall Height Grapple Closed	19.75"	19.75"	19.75"	20"	20"	20"
D. Overall Depth	36"	36"	36"	38"	38"	38"
Weight	738 lbs	788 lbs	835 lbs	1081 lbs	1133 lbs	1180 lbs

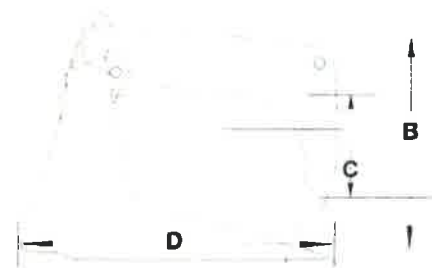
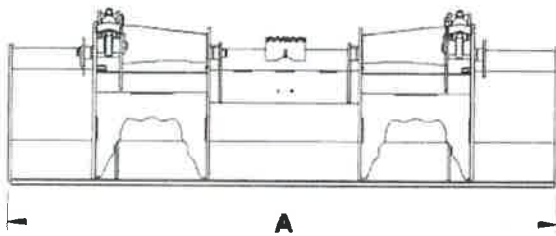
IMPORTANT: All replacement hydraulic hoses and fittings must have a minimum rated working pressure of 4000 psi.

***NOTE:** When ordering new Grapples you must also order the appropriate hose kit. The new Grapples will not automatically ship with hoses.

Carrier Specifications:	Utility	Construction
lift capacities	<4,000 lbs	<5,000 lbs
operating weight	<6,500 lbs	<9,500 lbs

Hose Kit Part Numbers

60"	80"	88"
MTG1113-0022	MTG1113-0903	MTG1113-9783



GRAPPLES

MODEL 120 SCRAP GRAPPLES

For Skid-Steer Loaders and Compact Tool Carriers

- Optional cylinder guards protect all cylinder components
- 1½" x 8-5/8" heat-treated, greasable pivot pins on full feature
- 1½" x 27-1/8" patented grapple pins reduce torsional force
- 3/8" end plates
- Patented cushioned & sleeved cylinders are 2½" x 8" x 1¾" on full feature
- Bucket edge drilled for FFC replaceable edge unless specified
- Optional ¾" x 8" double beveled edge

Specifications	Full Feature				Standard Feature			
	LAF5273	LAF5278	LAF5282	LAF5287	LAF5073	LAF5078	LAF5082	LAF5087
A. Width	74"	79"	83"	88"	74"	79"	83"	88"
B. Overall Height Grapple Open	45.4"	45.4"	45.4"	45.4"	45.4"	45.4"	45.4"	45.4"
C. Overall Height Grapple Closed	19.1"	19.1"	19.1"	19.1"	19.1"	19.1"	19.1"	19.1"
D. Overall Depth	37.8"	37.8"	37.8"	37.8"	37.8"	37.8"	37.8"	37.8"
Weight	1303 lbs	1514 lbs	1542 lbs	1571 lbs	1266 lbs	1301 lbs	1329 lbs	1364 lbs

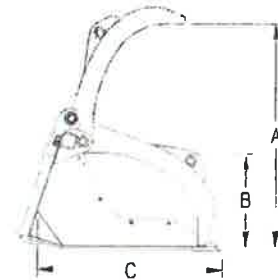
IMPORTANT: All replacement hydraulic hoses and fittings must have a minimum rated working pressure of 4000 psi.

Note: Field installation required on hardened pin and cylinder hose guard kits.

Carrier Specifications:

lift capacities <9,000 lbs
operating weight <11,000 lbs

Options	Order Code	Weight
Hardened Pin Kit for Model 120	LAF5003	45
Cylinder/Hose Guard Kit for Model 120	LAF5004	57
End Plate Extension - Full Kit for Model 120	LAF5250	NA



MODEL 130 SCRAP GRAPPLES

For Telehandlers, Wheel Loaders, Backhoe Loaders

- Optional cylinder guards protect all cylinder components
- 1½" x 8-5/8" heat-treated, greasable pivot pins
- 1½" x 27-1/8" patented grapple pins reduce torsional force
- Patented cushioned & sleeved cylinders are 2½" x 8" x 1¾"
- Bucket edge drilled for FFC replaceable edge unless specified
- Optional ¾" x 8" double beveled edge

Specifications	LAF5283	LAF5294
A. Width	83"	94"
B. Overall Height Grapple Open	47.4"	47.4"
C. Overall Height Grapple Closed	21.8"	21.5"
D. Overall Depth	37.3"	37.3"
Weight	1665 lbs	1745 lbs

IMPORTANT: All replacement hydraulic hoses and fittings must have a minimum rated working pressure of 4000 psi.

Carrier Specifications:

lift capacities <9,000 lbs
operating weight <11,000 lbs

Options	Order Code	Weight
End Plate Extension - Full Kit for Model 120	LAF5252	50

BIC Camera Kit Options:

Low-Cost – Smaller 'economically priced' camera...with added guard to help protect it from damage, 7" monitor



Field Kit – P/N WF263

→ **Installed – P/N WI263**

***We can get a waterproof monitor for this camera, if wanted for use on ROPS units...**

Heavier Duty – Heavier duty camera, similar 7" monitor/mounting plate



Field Kit – P/N SF3301

Installed – P/N SI3301



Burlington Installation Corporation

Warranty Policy and Information

BIC WARRANTY POLICY

CERTIFICATE OF GENERAL PRODUCT WARRANTY

Products Warranted

This Warranty applies to new attachments and service parts which are marketed by Burlington Installation Corporation, Inc. (herein called "BIC" and herein referred to as "product(s)").

Warranty Period

BIC warrants new product(s) to be free from material or workmanship defects for a period of twelve (12) months after the date of delivery to the first user. This Warranty is made to the original owner of the new product(s) and is transferable for the duration of the coverage period to subsequent owners, only with prior written approval of BIC. (See Limitations)

Coverage

BIC shall repair or, at BIC's discretion, replace any product(s) shown to be defective in material or workmanship. BIC shall pay to the extent it has established in its applicable service policy in effect at the time of delivery of the product(s), the cost reasonably necessary to install any repaired or replaced part provided under this Warranty at our published shop rate of \$50.00/hr. The remedies set forth in this paragraph are exclusive and correction by BIC of product nonconformity in the manner provided above shall constitute fulfillment of all liabilities and obligations of BIC to those entitled to the benefit of the Warranty.

Exclusions

This Warranty shall not apply to general maintenance items such as lubricants and oil, changes to service items such as picks, pick holders, wear strips and other normal wear items. In addition, this Warranty is void if used in conjunction with or to run products manufactured or marketed by Alitec Corp. Parts or options not provided by BIC are also excluded. BIC Service personnel must be contacted prior to any troubleshooting or diagnostics of defective product(s). Any labor related to diagnosis of the defective product(s) prior to contacting BIC will be excluded. BIC will not reimburse for mileage or travel time associated with field repairs.

Owner Responsibilities

The owner is responsible for proper maintenance of the product(s). Any improper use, including failure to provide proper maintenance, operation following discovery of defective or worn parts, operation beyond rated capacity, substitution of parts not approved by BIC or alteration or repair which in BIC's judgement adversely affects the product(s), shall void this Warranty. If requested by BIC, product(s) or parts for which a warranty claim is made are to be returned freight pre-paid to BIC.

Limitations

BIC's obligation under this Warranty is expressly limited to the conditions as stated above and shall not include duty, taxes or any other charges whatsoever or any liability for direct, indirect, incidental or consequential damage or delay. **BURLINGTON INSTALLATION CORPORATION MAKES NO OTHER WARRANTY, EXPRESSED OR IMPLIED, AND MAKES NO WARRANTY OF MERCHANTABILITY OR FITNESS FOR ANY PARTICULAR PURPOSE.** No employee or representative is authorized to change this Warranty in any way or grant any other Warranty unless such change is made in writing and signed by an officer of BIC.

Applicable Law

This warranty shall be governed by and interpreted in accordance with the laws of the State of Iowa applicable to contracts made and to be performed in Iowa.

Effective April 15, 2009